

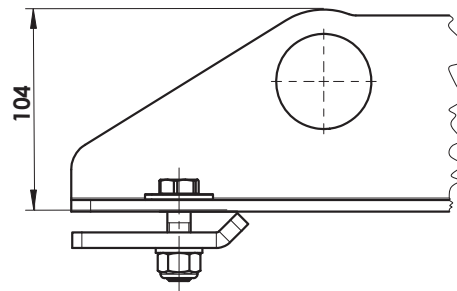
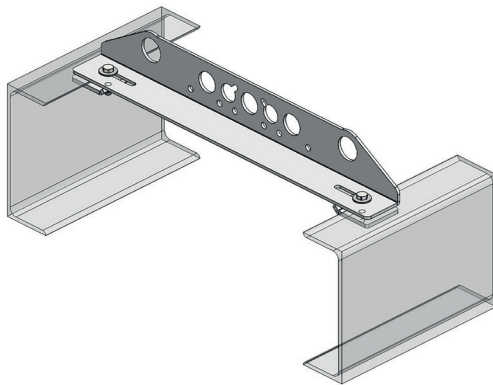
Hydraulic wet kit

We are pleased to inform you that we have now available two new accessories created for the truck hydraulic WET KIT market.

Bracket kit for quick release couplings

Galvanized steel bracket for quick release coupling support. Fixing system with clamps allows easy mount on any chassis without drilling extra holes.

Code: 12201500308



Pressure gauge kit for tipping valve

Pressure gauge kit developed to be connected to 1/8" pressure switch predisposition embedded in our tipping valve.

Code: 12699400011

